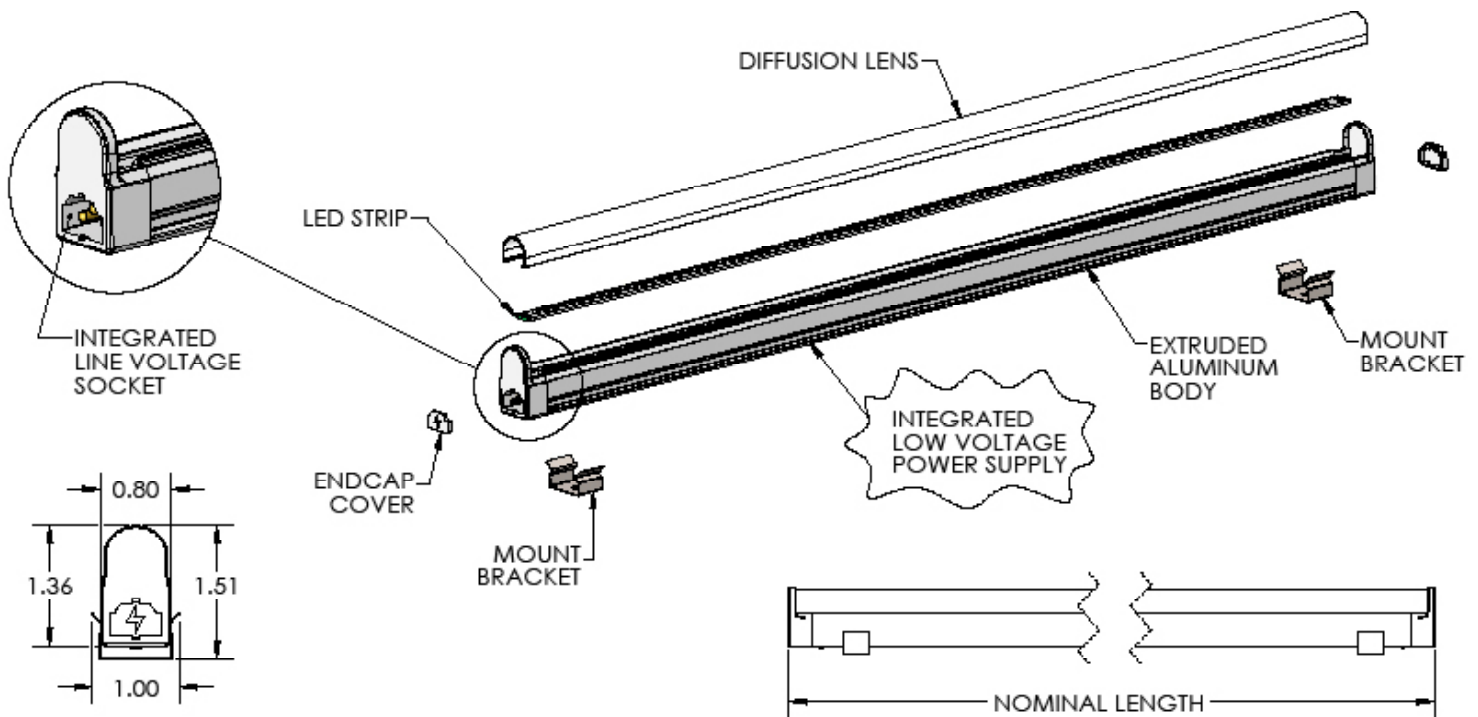


RETRO T5 LED FIXTURE



FEATURES

- Low profile - Less than 1 3/8" fixture height
- Nominal sizes: 11", 22", 34", 46", 58"
- Aluminum extruded frame
- Integrated Low Voltage Power Supply
- Excellent color rendering
- Easy LED retrofit option for T5 Fluorescent
- Protective diffusion lens
- Easy installation
- Modular connector system
- Cost effective solution

SPECIFICATIONS

Nominal LENGTH	11"	22"	34"	46"	58"
Actual LENGTH	11.0"	21.3"	33.1"	44.9"	56.7"
Output Wattage (W)	5W	9W	12W	15W	18W
Output Lumens (lm)	350	700	1000	1250	1450
Output Max # Fixtures	20	16	12	10	8
Diode Efficacy (lm/W)	100-120				
Module Outside Dims (W x H)	.80" x 1.36"				

Certifications	UL
LED Beam Angle	120°
Module Input Voltage	110 VAC, 60Hz
Mounting Method	Bracket, Magnet
Wiring Specs	18AWG X 3C SVT VW-1
Connector Specs	Friction Quick Disconnect
Environment	Indoor, Dry

FIXTURE ORDERING INFORMATION

RT5 - LED 22 - 64 FR - 2 - 000

Model	LED Fixture	Nominal Length	Lamp (Kelvin)	Lens & Lamp Type	Model	Options
RT5	LED	11" 22" 34" 46" 58"	30=3000 41=4100 50=5000 64=6400	FR=Frost Lens	2= Normal Output	Consult factory for options

Example: RT5-LED22-64FR-2-000

POWER/CONNECTOR CORD ORDERING INFORMATION

MT5 - CC - N U - 012 - 003 -

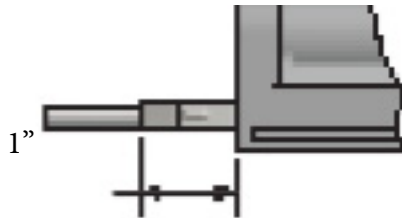
Model	Cord Type	Connector Type	Connector Orientation	Cord Length	# of Conductors	Options
MT5	CC= Connector Cord PC= Power Cord	N=Ninety Degree S= Straight	U=Up D=Down S= Straight	003=3" 006=6" 012=12" 024=24" 036=36" 072=72"	003=3 cond	Blank=None SW= Inline Switch PP= Pigtail Cord 220V=220V unit Consult factory for options

Example: MT5-CC-NU-012-003

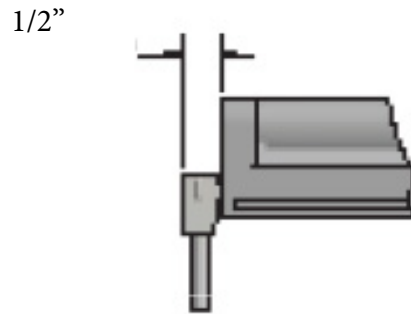
RETRO T5 LED FIXTURE

CONNECTOR CORD OPTIONS

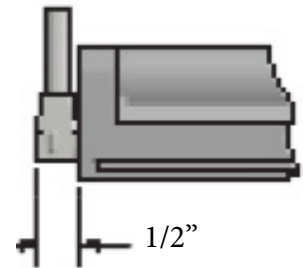
STRAIGHT
CONNECTOR



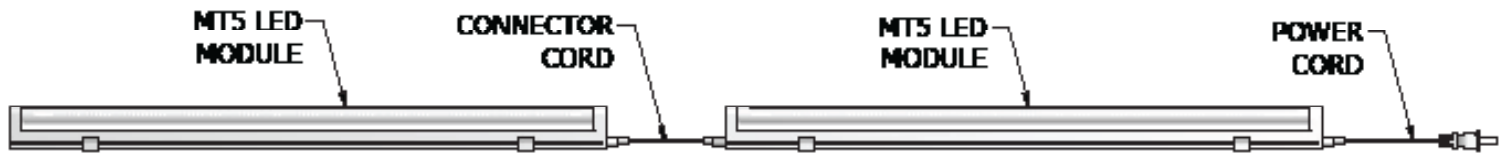
90 DEGREE DOWN
CONNECTOR



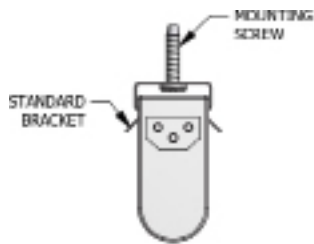
90 DEGREE UP
CONNECTOR



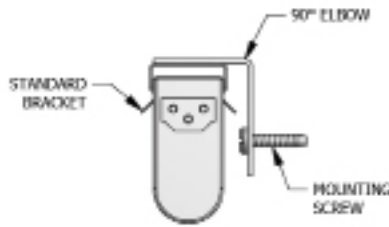
SAMPLE APPLICATION LAYOUTS



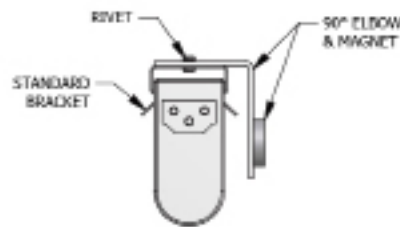
MOUNTING OPTIONS



STANDARD
MOUNT
(MT5-MC-000)



90° ELBOW
MOUNT
(MT5-MC-001)



90° ELBOW
WITH MAGNET
(MT5-MC-002)



STANDARD MOUNT
WITH MAGNET
(MT5-MC-003)

MT5-MC-000 (1) Standard Bracket, (1) Screw
MT5-MC-001 (1) 90 Elbow, (1) Standard Bracket, (1) Screw
MT5-MC-002 (1) 90 Elbow, (1) Standard Bracket, (1) Magnet
MT5-MC-003 (1) Standard Bracket, (1) Magnet

RELATED ACCESSORIES	
MT5-EC-PLUG	End Cap Plug
MT5-EC-E2EC	End Cap End-2-End Connector

Note: A standard fixture includes (2) MT5-MC-000 brackets and (2) screws