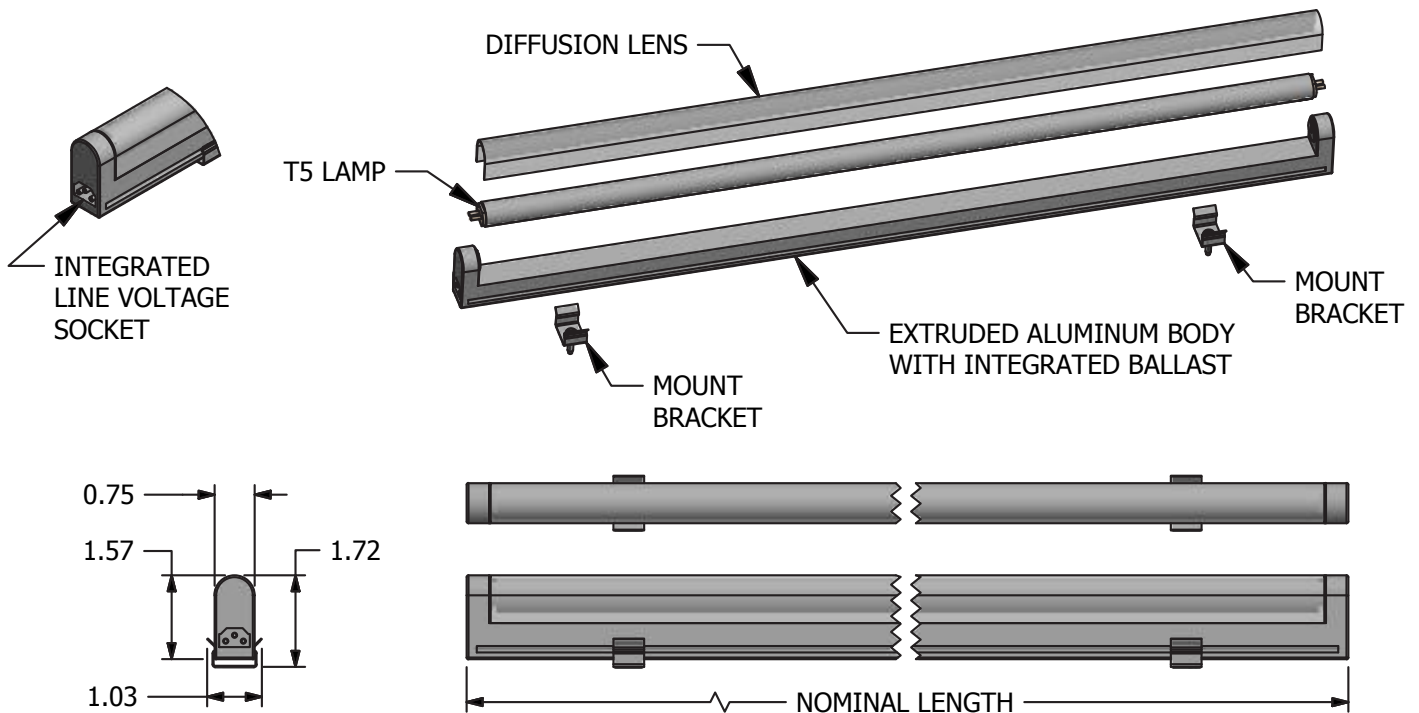


# MICRO T5 FLUORESCENT FIXTURE



## FEATURES

- Low profile - Less than 1 5/8" Height
- Nominal sizes: 12", 22", 34", 46", 58"
- Aluminum extruded frame
- Integrated ballast
- Available in 3000K, 3500K, 4100K, 5600K, 6400K
- Cost effective solution
- Protective diffusion lens
- Easy installation
- Modular connector system
- Electronic Ballast - UL approved

## SPECIFICATIONS

Nominal LENGTH	12"	22"	34"	46"	58"
Actual LENGTH	12.4"	22.6"	34.4"	46.3"	58.1"
Wattage / Fixture (W)	8	14	21	28	35
Lumens / Fixture (lm)	394	825	1026	1856	2262
Max Fixtures (Series)	5-10 Max				
Module Outside Dims (W x H)	.75" x 1.57"				
Color Temps (K)	3000K, 3500K, 4100K, 5600K, & 6400K				

Module Input Voltage	110-120 VAC, 60Hz
Mounting Method	Bracket, Magnet
Wiring Specs	18AWG X 3C SVT VW-1
Connector Specs	Friction Quick Disconnect
Environment	Indoor, Dry
Certifications	UL

## FIXTURE ORDERING INFORMATION

Model	LED Fixture	Nominal Length	Lamp (Kelvin)	# of Conductors	Options
MT5	F=Fluorescent HO=High Output	12=12" 22=22" 34=34" 46=46" 58=58"	30=3000 35=3500 41=4100 56=5600 64=6400	03=3 cond	Consult factory for options
Example: MT5-F46-6403					

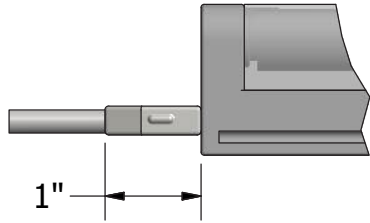
## POWER/CONNECTOR CORD ORDERING INFORMATION

Model	Cord Type	Connector Type	Connector Orientation	Cord Length	# of Conductors	Options
MT5	CC= Connector Cord PC= Power Cord	N=Ninety Degree S=Straight	U=Up D=Down S=Straight	003=3" 006=6" 012=12" 024=24" 036=36" 072=72"	003=3 cond	Blank=None SW= Inline Switch PP= Pigtail Cord 220V=220V unit Consult factory for options
Example: MT5-CC-NU-012-003						

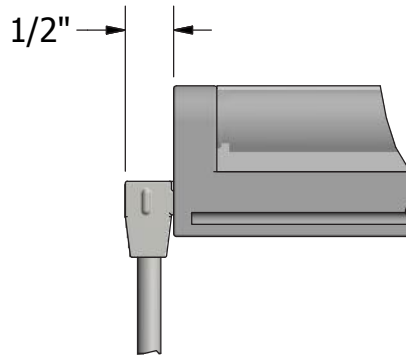
# MICRO T5 FLUORESCENT FIXTURE

## CONNECTOR CORD OPTIONS

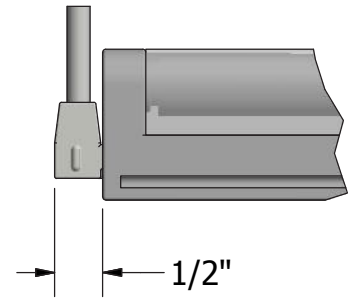
STRAIGHT CONNECTOR



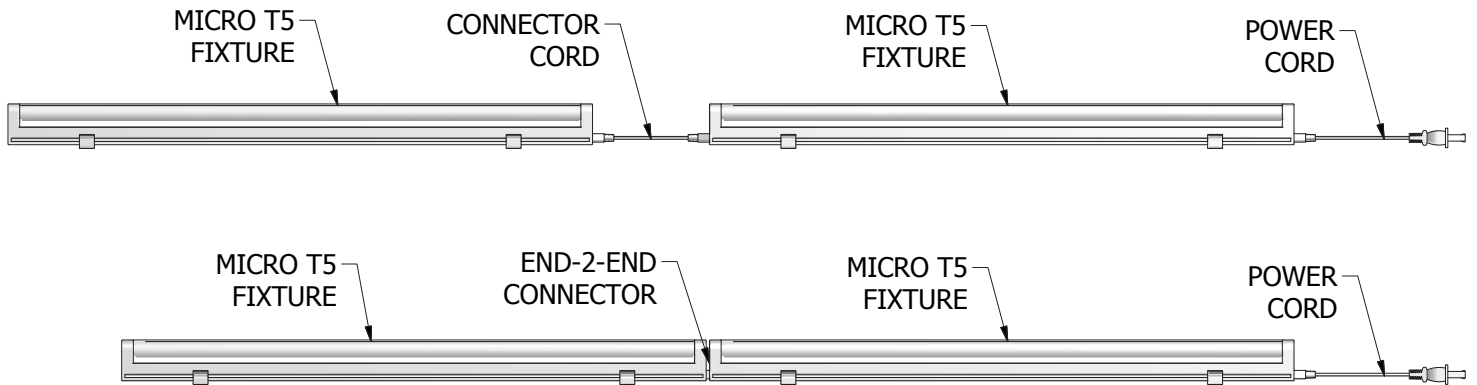
90 DEGREE DOWN CONNECTOR



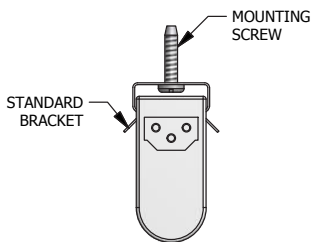
90 DEGREE UP CONNECTOR



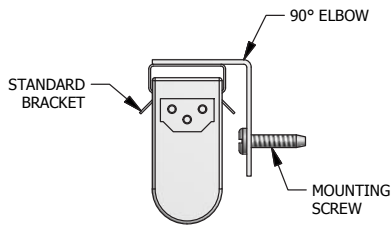
## SAMPLE APPLICATION LAYOUTS



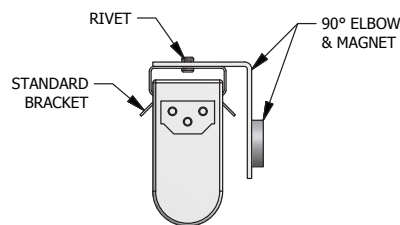
## MOUNTING OPTIONS



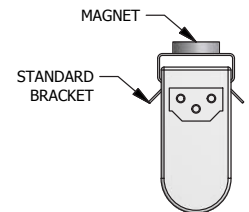
STANDARD MOUNT  
(MT5-MC-000)



90° ELBOW MOUNT  
(MT5-MC-001)



90° ELBOW WITH MAGNET  
(MT5-MC-002)



STANDARD MOUNT WITH MAGNET  
(MT5-MC-003)

<b>MT5-MC-000</b>	(1) Standard Bracket, (1) Screw
<b>MT5-MC-001</b>	(1) 90 Elbow, (1) Standard Bracket, (1) Screw
<b>MT5-MC-002</b>	(1) 90 Elbow, (1) Standard Bracket, (1) Magnet
<b>MT5-MC-003</b>	(1) Standard Bracket, (1) Magnet

## RELATED ACCESSORIES

<b>MT5-EC-PLUG</b>	End Cap Plug
<b>MT5-EC-E2EC</b>	End Cap End-2-End Connector

Note: A standard fixture includes (2) MT5-MC-000 brackets and (2) screws