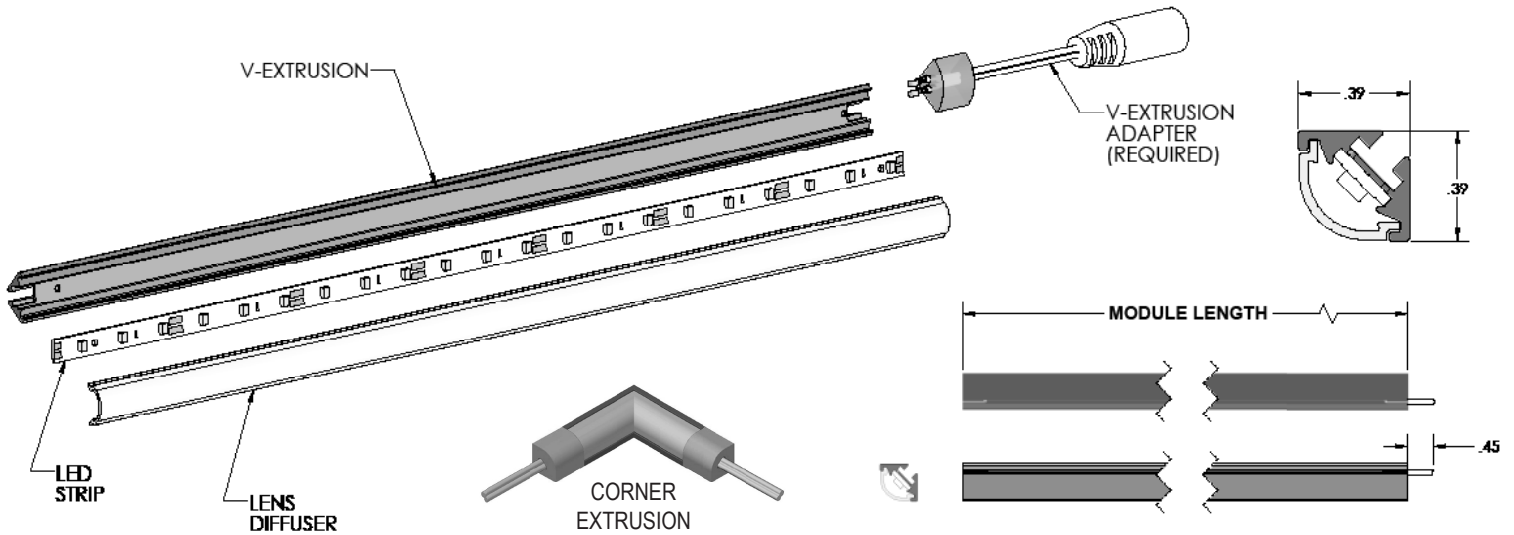


V-Extrusion LED STRIP



FEATURES

- Low profile - Less than 3/8" Height
- Continuous illumination between strips
- Standard or custom lengths available
- Aluminum extruded body for heat sink
- Protective plastic lens - Clear or Frost
- Modular End-2-End connections
- Multiple LED pitch configurations
- UL approved
- UL approved

| STANDARD MODULE LENGTHS | |
|-------------------------|--------------|
| 21/FT | 42/FT |
| 6" = 6.84" | 6" = 6.00" |
| 10" = 10.28" | 10" = 10.28" |
| 22" = 22.25" | 22" = 22.25" |
| 34" = 34.25" | 34" = 34.25" |
| 46" = 46.25" | 46" = 46.25" |

SPECIFICATIONS

| | | | | | | | |
|--------------------------|------------------------------|-------------|-------------|------------|------|-----------------------------|---------------------------|
| LED Chip Size | 3020 (20mA) | 3020 (60mA) | 5630 (60mA) | Beam Angle | 120° | | |
| LEDs / Ft | 21 | 42 | 21 | 42 | 21 | LED Module Voltage | 12 VDC |
| Wattage / Ft (W) | 1.7 | 3.4 | 5.0 | 10.1 | 5.0 | Module Outside Dims (W x H) | .39" x .33" |
| Lumens / Ft (lm) | 126 | 252 | 420 | 815 | 420 | Cover Material | PC |
| Diode Efficacy (lm/W) | 74 | 74 | 83 | 83 | 83 | Mounting Method | PSA |
| Max Run (Ft) | 20' | 10' | 10' | 5' | 10' | Wiring Specs | 20 ga AWM2464x2C |
| Min Run (Inch) | 5" | 6" | 5" | 6" | 5" | Connector Specs | Friction Quick Disconnect |
| Modular Increment (Inch) | 1.71 | .857 | 1.71 | .857 | 1.71 | Environment | Indoor, Dry |
| Color Temps (K) | 3500K, 4100K, 5600K, & 6400K | | | | | Certifications | UL |
| Operating Temp | -30°C to 85°C | | | | | Warranty | 3 Year |
| Lamp Life (L70@45°C) | 60,000 hrs | | | | | PCB & Circuit Material | .06" FR4, Copper Circuit |

V-Extrusion LED STRIP ORDERING INFO

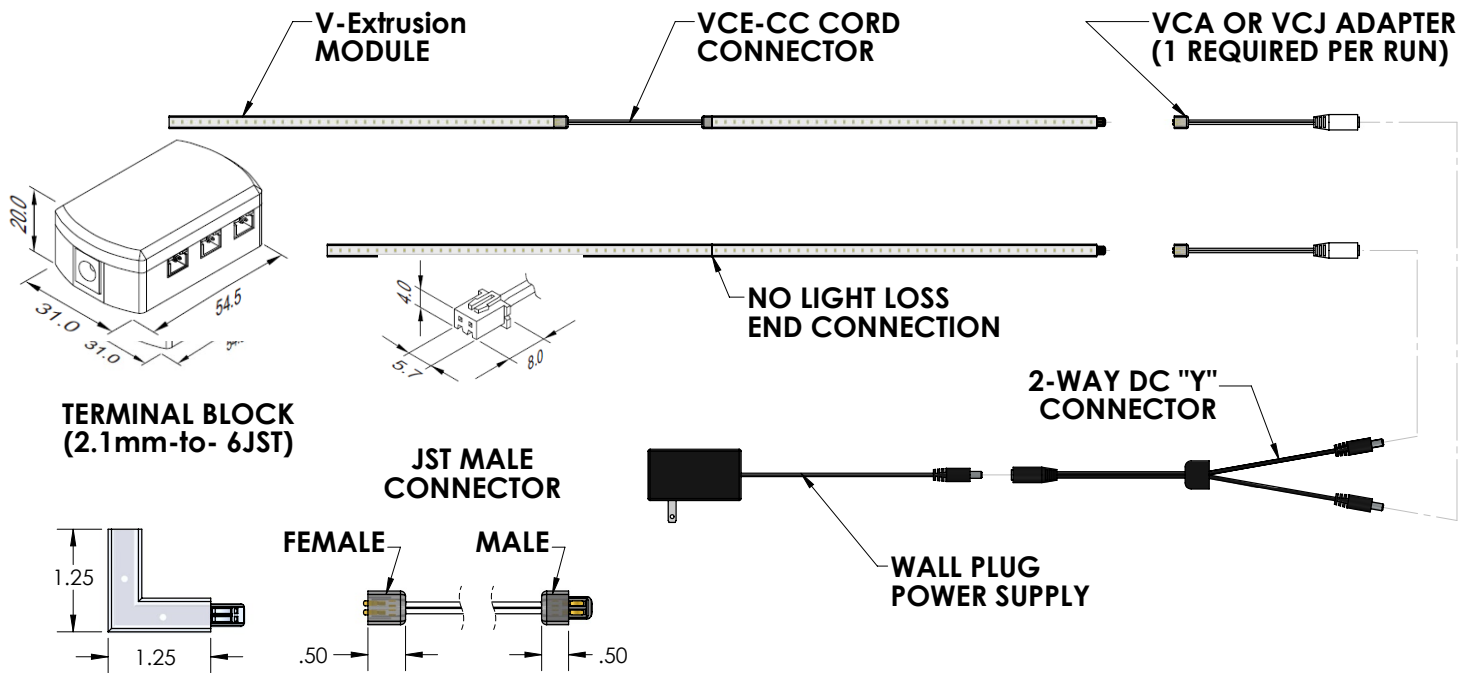
| VCE | A | - | 1000 | - | 04 | W | 5 | - | 000 |
|-----------------------------|--------------------|---|--|---|--|---|----------------------------|---|------------|
| Model | Lens Type | - | Module Length (Inches) | - | LED/FT | Color | Temp (Kelvin) | - | Variations |
| VCE= V-Extrusion LED Strip | A=Clear B=White | - | 0600 1000 2200 3400 4600 CRN=CORNER | - | 10=21/FT - 3020 20mA 04=42/FT - 3020 20mA 15=21/FT - 5630 60mA 17=21/FT - 3020 60mA 18=42/FT - 3020 60mA | W=White B=Blue G=Green R=Red Y=Yellow | 2=3500 3=4100 5=5600 | - | |
| Example: VCEA-1000-04W5-000 | | | | | | | | | |

V-Extrusion CONNECTORS

| VCE | - | VCA | - | 012 | - | W | - | 000 |
|----------------------------|---|---|---|---|---|------------|---|------------|
| Model | - | Connector Type | - | Length | - | Cord Color | - | Variations |
| VCE= V-Extrusion | - | VCA= V-Extr. Connector to 2.1mm Adapter CC = Cord Connector VCJ=JST Adapter | - | 006=6" 012=12" 024=24" 048=48" | - | W=white | - | 000=Std |
| Example: VCE-VCA-012-W-000 | | | | | | | | |

V-Extrusion LED STRIP

SAMPLE APPLICATION LAYOUTS



V-EXTRUSION CONNECTOR DIMENSIONS

POWER SUPPLY ORDERING INFORMATION

| PS | L | - | 0250 | - | M | 072 | - | F | 072 | - | 000 |
|-----------------------------------|---------------------------------|---|--|---|--------------------|----------------------|---|---------------------|-----------------------|---|------------|
| Model | Body Style | - | Output Amps | - | Power-In Connector | Power-In Cord Length | - | Power-Out Connector | Power-Out Cord Length | - | Variations |
| PS= Constant Voltage Power Supply | L=Inline 12V P=Wall Plug 12V | - | 0100=1.00 0250=2.50 0500=5.00 0700=7.00 1000=10.00 | - | M=Male F=Female | 072=72" | - | M=Male F=Female | 072=72" | - | 000=none |

POWER SUPPLY SIZING CHART

- Combine Linear Feet of all LED strips.
(22" + 22" = 44", then 44"/12 = 3.67 Linear Feet of LEDs)
- Multiply Linear Feet x LED/Ft to get # of LEDs.
(3.67 Ft x 21/Ft = 77 LEDs)
- Multiply # of LEDs x VF to get Total Amps.
(77 LEDs x .0067 = 0.52 Total Amps)
- Choose appropriate Power Supply Based on Total Amps.
(I.E. - If Total Amps = 0.52, then choose 1.0 Amp Power Supply)
(Calculated amps should **not** exceed Power Supply Amps)

| |
|---|
| VF=Voltage Factor 0.0067 for 3020 20ma 0.020 for 3020 60ma 0.020 for 5630 60ma |
|---|

RELATED ACCESSORIES

| | |
|--|---|
| | LED-CC-036-MF DC Connector Cord, 36" Overall Length, Incoming 2.1mm Straight Male, 2464 Round Cord Type, Outgoing 2.1mm Straight Female |
| | PS-1M00-2F06-000 DC Y Connector, 6" Overall Length, (1) Incoming 2.1mm Male, (2) Outgoing 2.1mm Female |
| | PS-1M05-3F06-000 DC Y Connector, 11" Overall Length, (1) Incoming 2.1mm Male, (3) Outgoing 2.1mm Female |
| | PS-1M05-4F06-000 DC Y Connector, 11" Overall Length, (1) Incoming 2.1mm Male, (4) Outgoing 2.1mm Female |
| | TB-1M2.1mm-6JST-000 Terminal Block, (1) Male 2.1mm to (6) JST Connectors, 3 AMP |