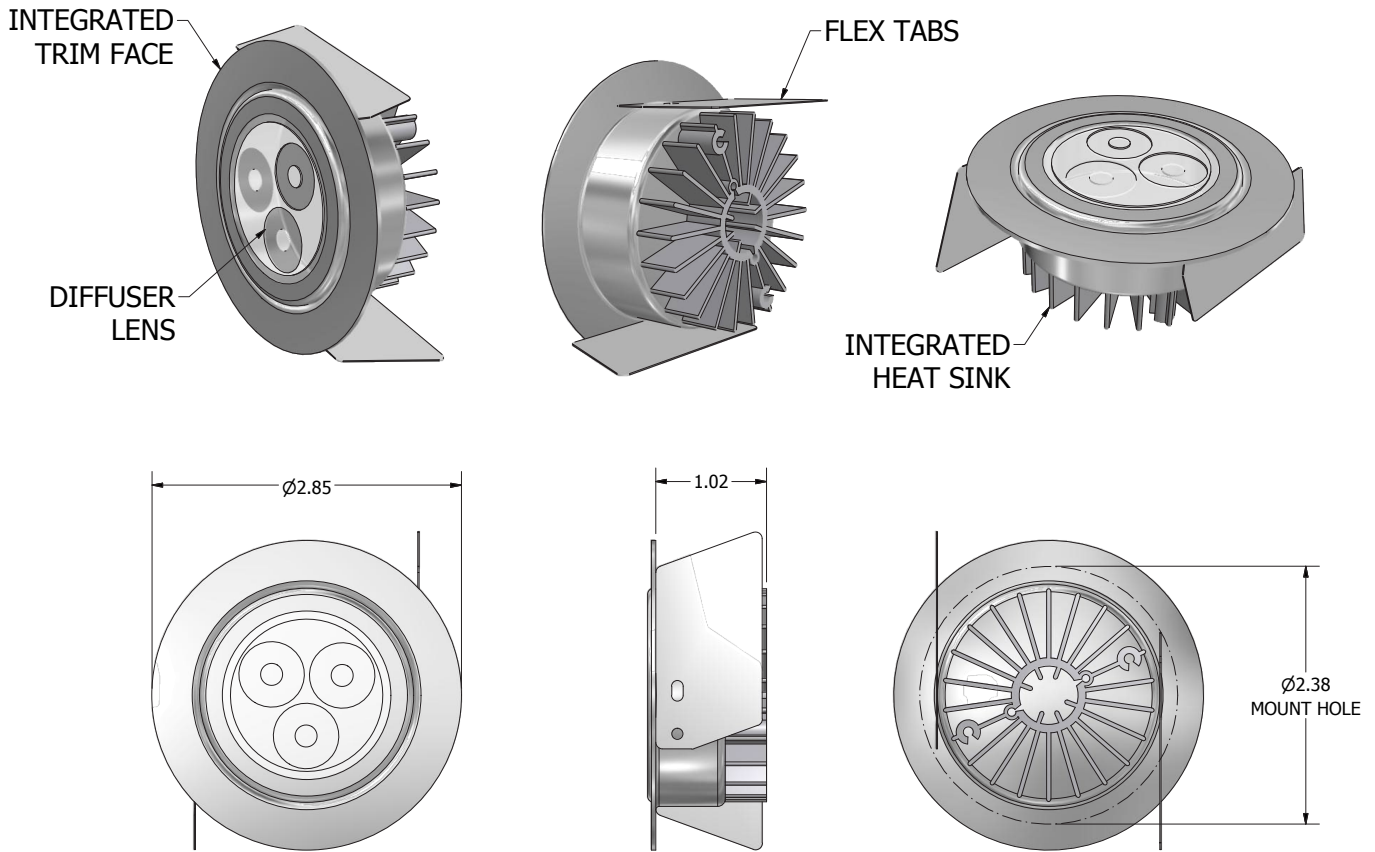


LED HIGH OUTPUT PUCKLIGHT



FEATURES

- Tool-less easy installation
- Available in 3500K, 4100K, 5600K, & 6400K
- Daisy chain capability
- Up to 60,000 hrs useable life
- Multiple units per power supply
- UL approved

SPECIFICATIONS

Dims (Diameter x Height)	2.850" x 1.02"
Lumen Output	260 lumens
Color Temps (K)	3500K, 4100K, 5600K, & 6400K
Operating Temp	-40°C to 105°C
Lamp Life (L70@45°C)	60,000 hrs
Beam Angle	15°
Wattage & Amperage	3W @ 350mA

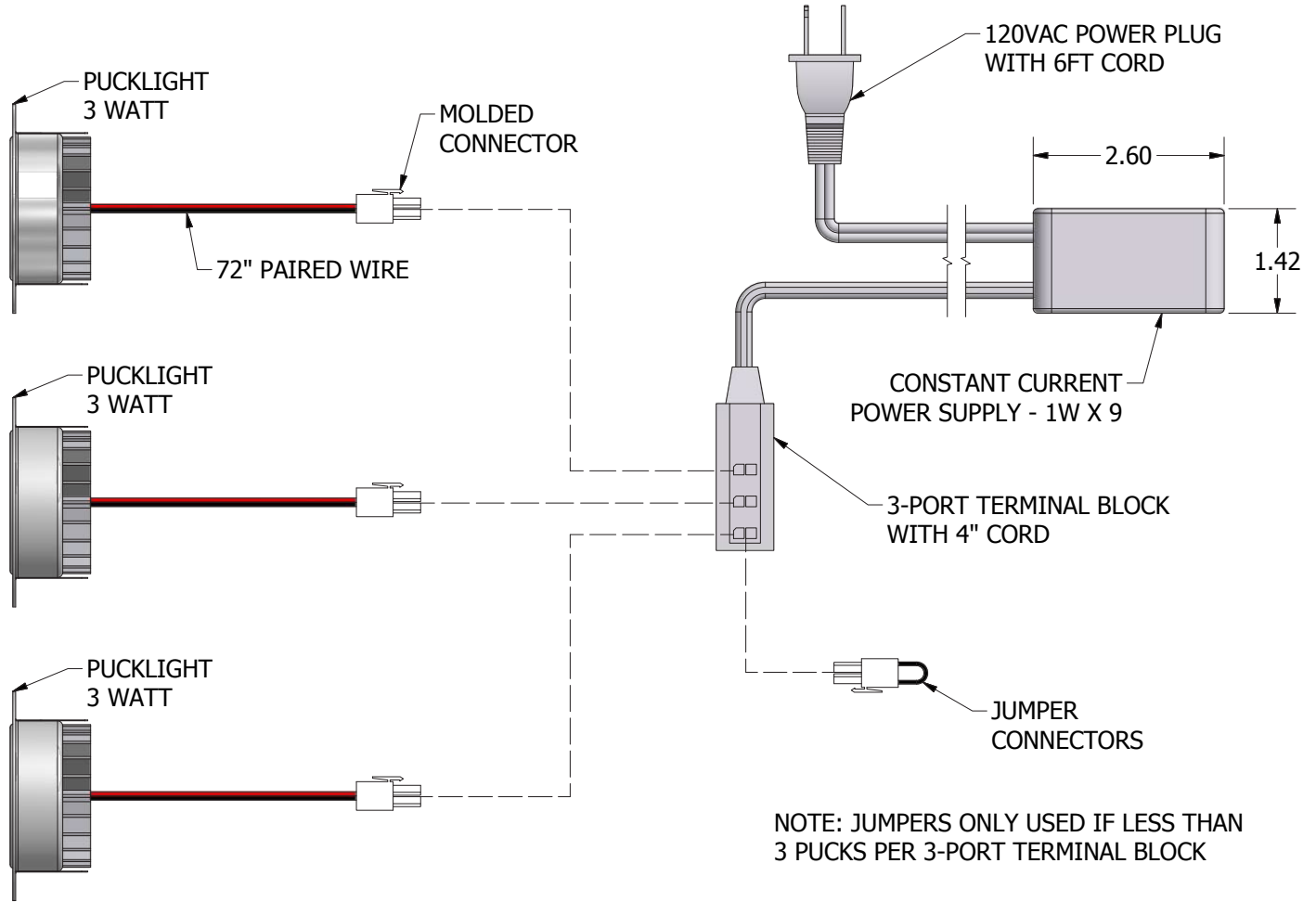
Mounting Hole Size	2 3/8"
Mounting Method	Friction Fit
Wiring Specs	22ga (AWM 2468x2C, AWM 2464x2C), 18ga (SPT-1x2C)
Environment	Indoor, Dry
Certifications	UL
Warranty	3 Year

LED HIGH OUTPUT PUCKLIGHT ORDERING INFORMATION

PK	S	- LED -	3	- 03W 64 -	SLV	-	001
Model	Mount Type	Lamp Type	# Pucks Per Kit	Watts/ Puck	Temp (Kelvin)	Housing Color	Variations
PK= Puck with Power Supply	S=Surface R=Recessed	LED=LED HAL=Halogen	1=1 2=2 3=3 5=5	03W=3W	35=3500 41=4100 56=5600 64=6400	BLK=Black CPL=Chrome Plated WHT=White SLV=Silver Matte	000=Thick Tabs 001=Flex Mount Tabs Example: PKS-LED-3-03W64-SLV-001

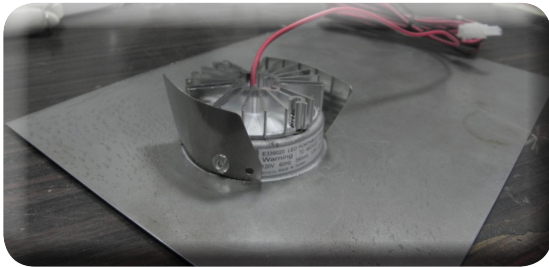
LED HIGH OUTPUT PUCKLIGHT

SAMPLE 3 PUCKLIGHT KIT AND COMPONENTS



SAMPLE INSTALLATION LAYOUTS

TYPICAL INSTALLATION (THIN SURFACE-FLEX TABS)



TYPICAL INSTALLATION (THICK SURFACE-THICK TABS)

