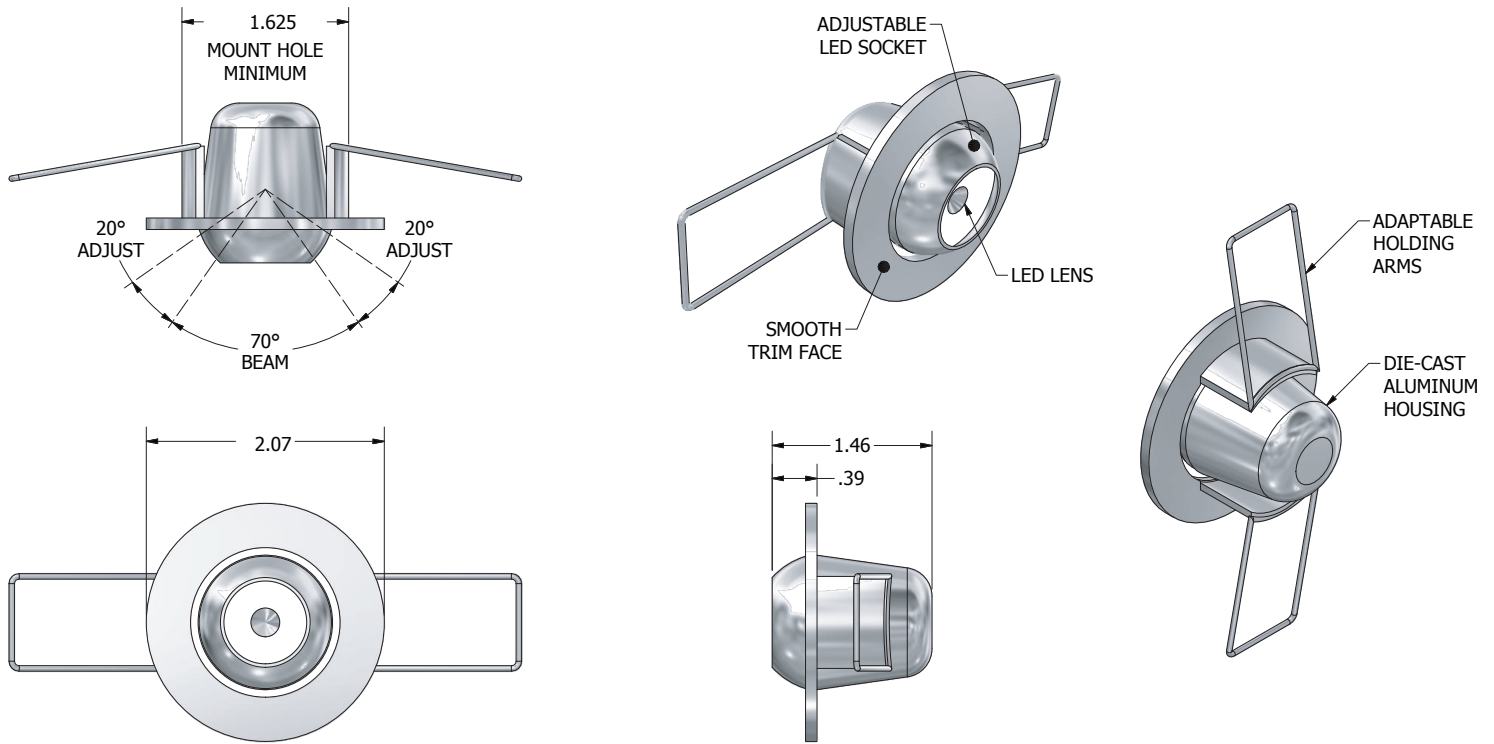


LED DIE-CAST RECESSED



FEATURES

- Tool-less easy installation
- Available in 3500K, 4100K, 5600K, & 6400K
- Daisy chain capability
- Up to 60,000 hrs useable life
- Multiple units per power supply
- UL approved

SPECIFICATIONS

Dims (Diameter x Height)	2.07" x 1.39"
Lumen Output	88 lumens
Color Temps (K)	3500K, 4100K, 5600K, & 6400K
Operating Temp	-40°C to 105°C
Lamp Life (L70@45°C)	60,000 hrs
Beam Angle	60°
Wattage & Amperage	1W @ 350mA

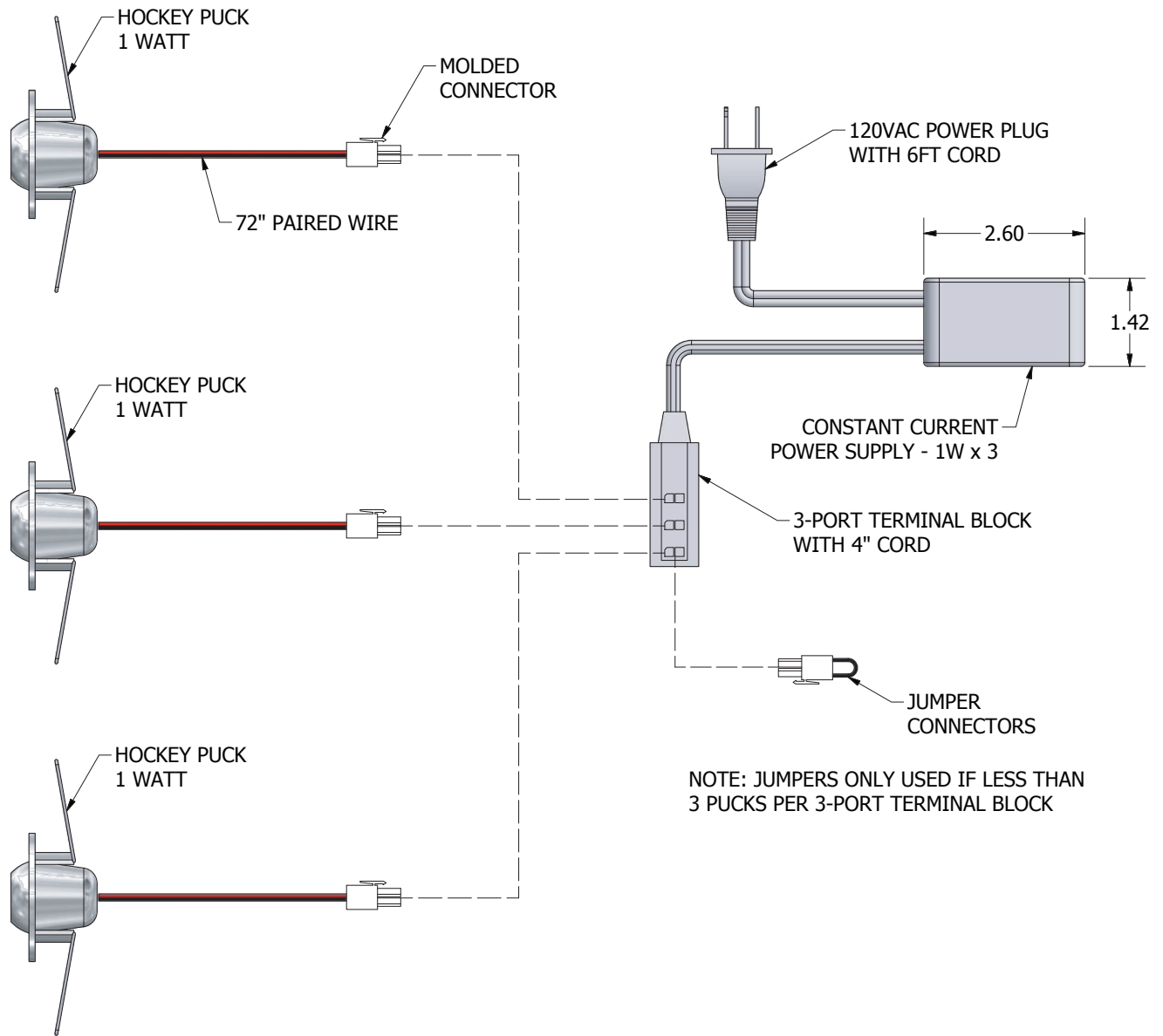
Mounting Hole Size	1 5/8"
Mounting Method	Spring Arm
Wiring Specs	22ga (AWM 2468x2C, AWM 2464x2C), 18ga (SPT-1x2C)
Environment	Indoor, Dry
Warranty	3 Year

LED DIE-CAST RECESSED ORDERING INFORMATION

LDR	-	LED	-	1	-	01W 64	-	BLK	-	000
Model	-	Lamp Type	-	# Pucks Per Kit	-	Watts/ Puck Temp (Kelvin)	-	Housing Color	-	Variations
LDR=LED Die-Cast Recessed with Power Supply	-	LED=LED	-	1=1 2=2 3=3 5=5	-	01W=1W 35=3500 41=4100 56=5600 64=6400	-	BLK=Black CPL=Chrome Plated WHT=White SLV=Silver	-	000=None
										Example: LDR-LED-1-01W64-BLK-000

LED DIE-CAST RECESSED

SAMPLE 3 PUCK KIT AND COMPONENTS



SAMPLE INSTALLATION

